

## Standard Preparation 960x500xh350 mm Soaking Sink with 1 Bowl

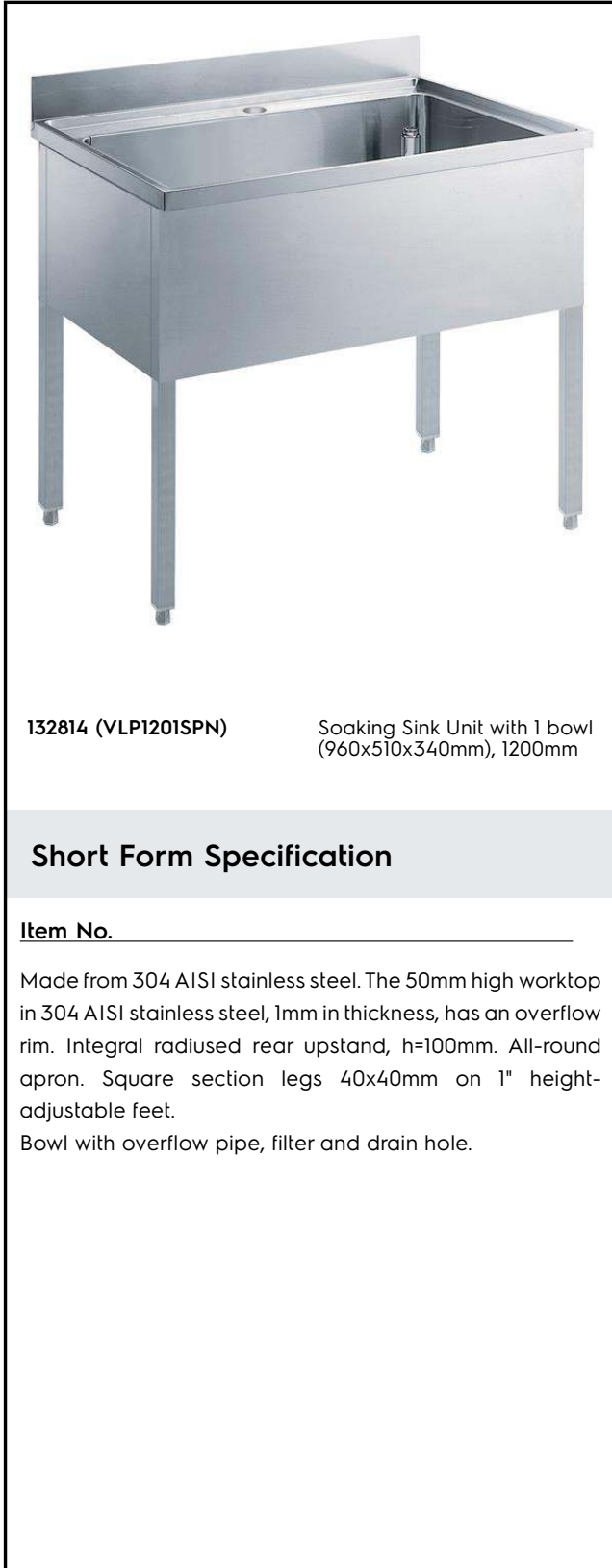
ITEM # \_\_\_\_\_

MODEL # \_\_\_\_\_

NAME # \_\_\_\_\_

SIS # \_\_\_\_\_

AIA # \_\_\_\_\_


**132814 (VLP1201SPN)**

 Soaking Sink Unit with 1 bowl  
 (960x510x340mm), 1200mm

### Short Form Specification

Item No. \_\_\_\_\_

Made from 304 AISI stainless steel. The 50mm high worktop in 304 AISI stainless steel, 1mm in thickness, has an overflow rim. Integral radiused rear upstand, h=100mm. All-round apron. Square section legs 40x40mm on 1" height-adjustable feet.

Bowl with overflow pipe, filter and drain hole.

### Main Features

- Sturdiness, stability and reliability of table accurately tested.

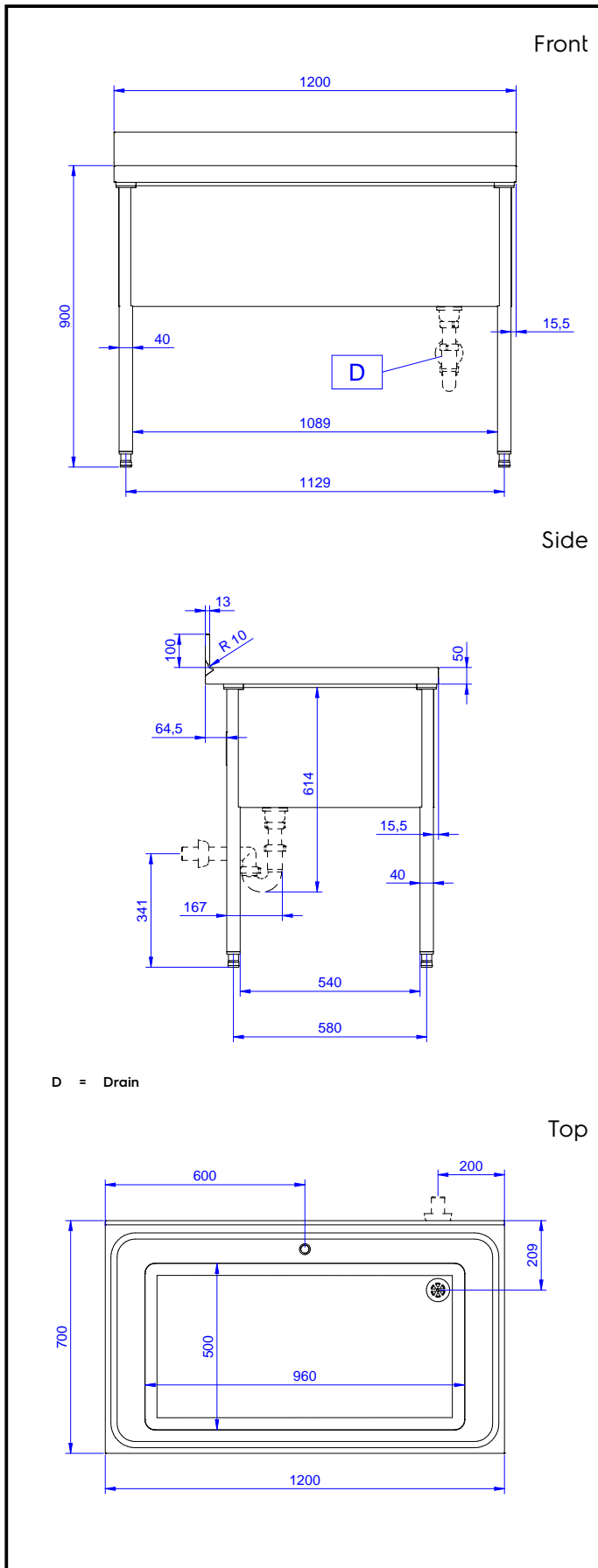
### Construction

- 50 mm worktop in 304 AISI stainless steel, 10/10 in thickness with overflow rim along the top.
- Square section legs and 40 mm height-adjustable feet in 304 AISI stainless steel.
- Sink tops easily slotted onto the legs and taps are easily installed from the rear.
- Bowl with rounded internal corners supplied as standard with an overflow pipe with filter and a drain hole. Bowl base inclined towards the drain outlet.
- 100 mm upstand with 10 mm radiused corner and 13 mm deep, designed to be used against a wall.
- Wide range of taps are available to suit every need.
- Pan washing support to use inside the bowl is available as an accessory.

### Optional Accessories

- Lower shelf for 1200mm tables and sinks and for 1800 mm undercounter dishwasher sinks PNC 855145
- Set of 4 wheels (2 with brake) d. 100mm for tables and sinks (total height on wheels= 993 mm) PNC 855150
- 3-sided underframe for 1200mm tables PNC 855152
- Elbow operated mixer tap with spout 3/4", single hole PNC 855322
- Elbow operated mixer tap with short spout 3/4", single hole PNC 855323
- Foot operated mixer tap (hot and cold) with spout 3/4" PNC 855328
- Single plastic drain syphon 2 " for Sinks PNC 895313

APPROVAL: \_\_\_\_\_



### Key Information:

|                                     |              |
|-------------------------------------|--------------|
| <b>External dimensions, Width:</b>  |              |
| 132814 (VLP1201SPN)                 | 1200 mm      |
| <b>External dimensions, Depth:</b>  | 700 mm       |
| <b>External dimensions, Height:</b> | 1000 mm      |
| <b>Upstand Dimensions, Height:</b>  | 100 mm       |
| <b>Upstand Dimensions, Depth:</b>   | 13 mm        |
| <b>Upstand Dimensions, Radius:</b>  | R=10         |
| <b>Bowls number</b>                 | 1            |
| <b>Bowl dimensions</b>              | 960x500xH350 |
| <b>Worktop thickness:</b>           | 50 mm        |
| <b>Net weight:</b>                  | 50 kg        |